

WIRELESS KEYPADS

Control4 Keypads provide a stunning interface for your Control4 Smart Home system, combining flexible button configuration with beautiful aesthetics to complement the decor of your home. With the simple press of a button, you can activate a scene, allowing events to happen simultaneously.

FEATURES:

- *Can include 1-6 LED backlit engraved buttons in various combinations. The bottom button can also include up and down volume arrows. Four different button sizes allow for a total of 38 possible configurations.*
- *Mix-and-match engraved buttons and sleek, screwless faceplates with 12 stylish colors and gloss and satin finishes.*
- *Available in 120V, 240V, or 277V.*
- *Buttons allow for quick control of your favorite scenes. For example, a "Goodnight" button can be configured to shut off all the lights, lock the doors and arm the alarm, all at once..*

Control4® Wireless Keypad Dimmer



Control4® Wireless Keypad Dimmer, 120V—C4-KD120

Control4® Wireless Keypad Dimmer, 240V—C4-KD240

Control4® Wireless Keypad Dimmer, 277V—C4-KD277

The Control4® Wireless Keypad Dimmer combines the dimming capabilities of the Control4® Wireless Adaptive Phase Dimmer with the flexibility of the Control4® Wireless Configurable Keypad. Unlock the power of one-touch automation simply by replacing an existing light switch with a Keypad Dimmer.

- Turns a standard light switch or dimmer into a fully customizable keypad and dimmer.
- Includes a button kit with every button necessary to make any of the 37 possible button configurations.
- Compatible with a variety of load types, including LEDs, incandescent, halogen, electronic low-voltage (solid state) transformers, magnetic (iron core) low-voltage transformers, fluorescents, compact fluorescents.
- Supports both forward-phase (leading edge) and reverse-phase (trailing edge) dimming.
- Automatically detects load type and determines the appropriate dimming type.
- Protection circuitry prevents device damage in case of short circuit or excessive load.
- Continuously measures energy being used by the attached load.
- Elegant, sophisticated design makes a beautiful addition to any home or business.
- Custom engraving available to clearly identify each button.
- Backlit button engraving with programmable color control for easy readability regardless of time of day or light level.
- Programmable RGB LEDs provide status feedback for lighting and other devices in the system.
- Ambient light sensor automatically adjusts backlight and status LED brightness depending on the light level in the room.
- Available in a wide array of gloss and satin colors (see "Available colors").
- Control4® screw-less faceplates, sold separately, provide a sleek profile (see "Available accessories").
- California Title 20 compliant. See ctrl4.co/title20 for more information on Title 20 / Title 24 compliance.

Control4® Wireless Keypad Dimmer

Model numbers	C4-KD120, C4-KD240, C4-KD277		
Power requirements	C4-KD120: 120VAC +/-10%, 50/60 Hz C4-KD240: 220VAC +/-10%, 50/60 Hz C4-KD277: 277VAC +/-10%, 50/60 Hz This device can function with or without a neutral AC connection depending on load type.		
Power consumption	C4-KD120: 786mW C4-KD240: 2.02W C4-KD277: 2.51W		
Load types and ratings			
Supported load types	Incandescent, halogen, electronic (solid state) low-voltage (ELV) transformers, magnetic (iron core, inductive) low-voltage (MLV) transformers ¹ , phase-dimmable fluorescents, compact fluorescents, and LEDs.		
C4-KD120 maximum load			
	1 Gang	2 Gang	3+ Gang
Incandescent (tungsten)	600W	550W	500W
Halogen ¹	600W	550W	500W
Fluorescent ²	300W	300W	300W
Compact fluorescent (CFL) ²	300W	300W	300W
LED ^{1,2}	120W	120W	120W
C4-KD240 reverse phase maximum load			
	1 Gang	2 Gang	3+ Gang
Incandescent (tungsten)	800W	700W	600W
Halogen ¹	800W	700W	600W
Fluorescent ²	500W	500W	500W
Compact fluorescent (CFL) ²	500W	500W	500W
LED ^{1,2}	160W	160W	160W
C4-KD240 forward phase maximum load			
	1 Gang	2 Gang	3+ Gang
Incandescent (tungsten)	400W	400W	400W
Halogen ¹	400W	400W	400W
Fluorescent ²	400W	400W	400W
Compact fluorescent (CFL) ²	400W	400W	400W
LED ^{1,2}	160W	160W	160W
C4-KD277 maximum load			
	1 Gang	2 Gang	3+ Gang
Incandescent (tungsten)	1000W	900W	800W
Halogen ¹	1000W	900W	800W
Fluorescent ²	500W	500W	500W
Compact fluorescent (CFL) ²	500W	500W	500W
LED ^{1,2}	200W	200W	200W
Minimum load (with neutral), all models			
All load types ²	1W		
Minimum load (without neutral)			
Incandescent (tungsten)	7W		
Halogen ^{1,2}	7W		
Fluorescent ^{1,2}	N/A		
Compact fluorescent (CFL) ^{1,2}	N/A		
LED ^{1,2}	N/A		

NOTES: ¹When dimming magnetic (MLV) loads, each transformer must be loaded to at least 50% of its maximum load
²The minimum and maximum load requirements for fluorescent, CFL, and LED loads can vary greatly depending on the specific fixture and/or bulb being used. The quality and performance of these load types vary greatly from manufacturer to manufacturer.

Control4® Wireless Keypad Dimmer

Environmental	
Operational temperature	32°F - 104°F (0°C - 40°C) All load ratings are based on an ambient temperature of 77°F (25°C).
Humidity	5% to 95% non-condensing
Storage	-4°F - 158°F (-20°C - 70°C)
Miscellaneous	
Control communications	ZigBee, IEEE 802.15.4, 2.4 GHz, 15-channel, spread-spectrum radio
Wallbox volume	5.75 cubic inches
Weight	0.12 lb. (0.05 kg)
Shipping weight	0.22 lb. (0.10 kg)
Available colors	
C4-KD120-xx and C4-KD277-xx	WH, LA, IV, BR, BL, SW, MB, BI, AU
C4-KD240-xx	WH, BL, SW, MB, BI, AU
Available accessories	
Faceplate, 1 Gang (C4-FP1-xx)	WH, LA, IV, BR, BL, SW, MB, BI, AU, SN, SS, VB
Faceplate, 2 Gang (C4-FP2-xx)	WH, LA, IV, BR, BL, SW, MB, BI, AU, SN, SS, VB
Faceplate, 3 Gang (C4-FP3-xx)	WH, LA, IV, BR, BL, SW, MB, BI, AU, SN, SS, VB
Faceplate, 4 Gang (C4-FP4-xx)	WH, LA, IV, BR, BL, SW, MB, BI, AU, SN, SS, VB
Color Kit (C4-CKKD-xx)	WH, LA, IV, BR, BL, SW, MB, BI, AU
Engraved Button, Single High (C4-EBD1H-xx)	WH, LA, IV, BR, BL, SW, MB, BI, AU
Engraved Button, Double High (C4-EBD2H-xx)	WH, LA, IV, BR, BL, SW, MB, BI, AU
Engraved Button, Triple High (C4-EBD3H-xx)	WH, LA, IV, BR, BL, SW, MB, BI, AU

Gloss colors: WH=White, LA=Light Almond, IV=Ivory, BR=Brown, BL=Black
Satin colors: SW=Snow White, MB=Midnight Black, BI=Biscuit, AU=Aluminum
Metal finishes: SN=Satin Nickel, SS=Stainless Steel, VB=Venetian Bronze



Control4® Square Wireless Configurable Keypad



Control4® Square Wireless Configurable Keypad, C4-SKC-N

The Control4® Wireless Configurable Keypad is an elegant and customizable user interface that unlocks the power of one-touch automation. The keypad can be configured with two to seven buttons using five different button sizes for a total of 38 possible configurations. There's no need to worry about how many buttons will be needed on a specific keypad prior to (or even after) installation.

- Wireless communication and standard wiring provide easy installation in new construction and retrofit environments.
- Elegant, sophisticated design makes a beautiful addition to any home or business.
- Custom engraving available to clearly identify each button.
- Backlit button engraving with programmable color control for easy readability regardless of time of day or light level.
- Programmable RGB LEDs provide status feedback for lighting and other devices in the system.
- Ambient light sensor automatically adjusts backlight and status LED brightness depending on the light level in the room.
- Ships as "Neutral" device with no buttons included. Keypad-style button kit and Rocker-style button kits sold separately in a variety of colors (see "Available accessories").
- Control4® screw-less faceplates, sold separately, provide a sleek profile (see "Available accessories").
- Installs in standard square (UK/China-style) or round (EU-style) wall boxes. Round (EU-style) wall boxes require trim ring (see "Available accessories").
- Power using mains voltage (120V to 277V) or low voltage (using Control4 36V or 48V power supply).

Control4® Square Wireless Configurable Keypad

Model number	C4-SKC-N
Power requirements	110-277VAC +/-10%, 50/60 Hz, 48VDC or 36VDC This device requires a neutral AC connection except when used in combination with a Control4 wireless dimmer in a multi-way wiring scenario.
Power consumption	120V: 350mW 240V: 480mW 277V: 540mW 36VDC: 430mW
Environmental	
Operational temperature	32°F - 104°F (0°C - 40°C)
Humidity	5% to 95% non-condensing
Storage	-4°F - 158°F (-20°C - 70°C)
Miscellaneous	
Control communications	ZigBee, IEEE 802.15.4, 2.4 GHz, 15-channel spread spectrum radio
Wires per connector	One 0.5 mm ² - 2.5 mm ² (20AWG - 10AWG) OR Two 0.5 mm ² - 1.5 mm ² (20AWG - 16AWG)
Dimensions	83 × 71 × 17 mm (3.3 × 2.8 × 0.7 in)
Weight	0.05 kg (0.12 lb.)
Shipping weight	0.08 kg (0.18 lb.)
Available accessories	
Square Device Keypad Button Kit (C4-CKSK-xx)	WH, SW, BL, MB, AU
Square Device Rocker Button Kit (C4-CKSR-xx)	WH, SW, BL, MB, AU
Square Faceplate (C4-SFP1-xx)	WH, LA, IV, BR, BL, SW, MB, BI, AU, SN, SS, VB
Square Dual Faceplate (C4-SFP2-xx)	WH, BL, SW, MB, AU
Square Trim Ring (C4-SSTR-xx)	WH, BL, SW, MB, AU
Square Dual Trim Ring (C4-SDTR-xx)	WH, BL, SW, MB, AU
Engraved Button, Single High (C4-EBD1H-xx)	WH, LA, IV, BR, BL, SW, MB, BI, AU
Engraved Button, Double High (C4-EBD2H-xx)	WH, LA, IV, BR, BL, SW, MB, BI, AU
Engraved Button, Triple High (C4-EBD3H-xx)	WH, LA, IV, BR, BL, SW, MB, BI, AU
Engraved Button, Rocker (C4-EBDR-xx)	WH, LA, IV, BR, BL, SW, MB, BI, AU

Gloss colors: WH=White, LA=Light Almond, IV=Ivory, BR=Brown, BL=Black

Satin colors: SW=Snow White, MB=Midnight Black, BI=Biscuit, AU=Aluminum

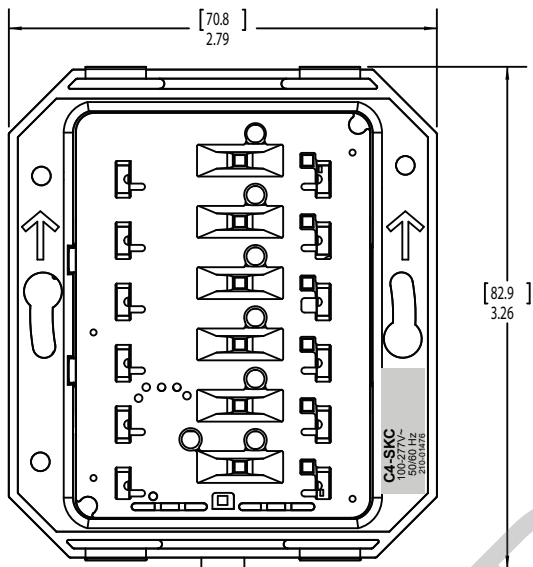
Metal finishes: SN=Satin Nickel, SS=Stainless Steel, VB=Venetian Bronze



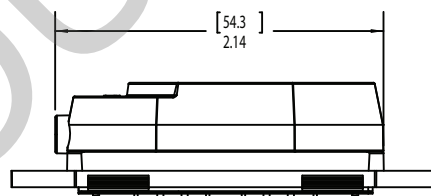
SQUARE WIRELESS CONFIGURABLE KEYPAD

SKU: C4-SKC-N

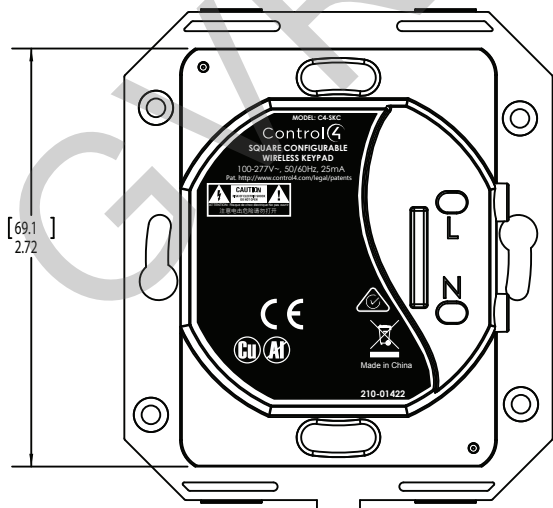
FRONT



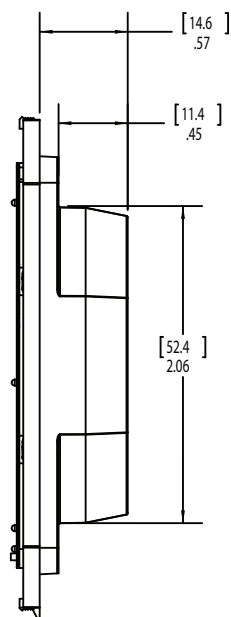
TOP



BACK



SIDE



Control4® Square Wireless Switch



Control4® Square Wireless Switch, 240V—C4-SSW240-N

The Control4® Square Wireless Switch combines a relay and configurable keypad for on/off control of a variety of load types. The keypad can be configured with two to seven buttons using five different buttons sizes for a total of 38 possible configurations.

- Wireless communication and standard wiring provide easy installation in new construction and retrofit environments.
- Compatible with a variety of load types including Incandescent, Halogen, Electronic Low Voltage (solid state) Transformers, Magnetic (iron core) Low Voltage Transformers, Fluorescents, Compact Fluorescents, LEDs and Motors .
- Continuously measures energy being used by the attached load.
- Elegant, sophisticated design makes a beautiful addition to any home or business.
- Custom engraving available to clearly identify each button.
- Backlit button engraving with programmable color control for easy readability regardless of time of day or light level.
- Programmable RGB LEDs provide status feedback for lighting and other devices in the system.
- Configure with two to seven buttons using five different button sizes for a total of 38 possible configurations.
- Easy reconfiguration means there's no need to worry about how many buttons will be needed on a specific switch before (or even after) installation.
- Ships as "Neutral" device with no buttons included. Keypad-style button kit and Rocker-style button kits sold separately in a variety of colors (see "Available accessories").
- Ambient light sensor automatically adjusts backlight and status LED brightness depending on the light level in the room.
- Control4® screw-less faceplates, sold separately, provide a sleek profile (see "Available accessories").
- Installs in standard square (UK/China-style) or round (EU-style) wall boxes. Round (EU-style) wall boxes require trim ring (see "Available accessories").

Control4® Square Wireless Switch

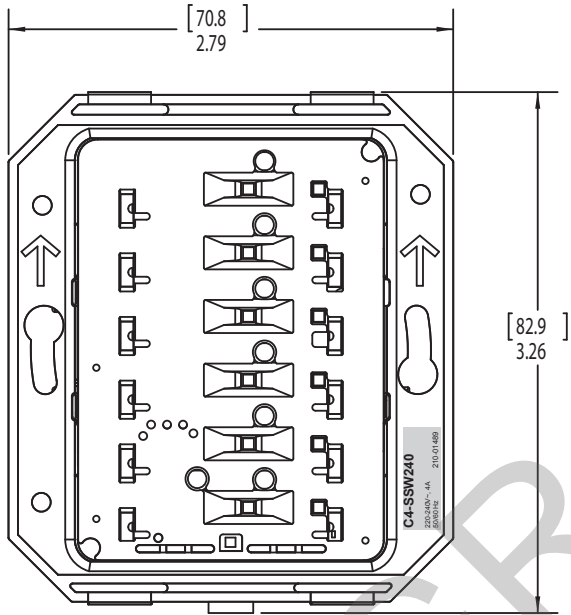
Model number	C4-SSW240-N
Power requirements	220VAC-240VAC +/-10%, 50/60 Hz This device requires a neutral connection.
Power consumption	950mW
Load types and ratings	
Supported load types	Incandescent, halogen, electronic (solid state) low-voltage (ELV) transformer, magnetic (iron core, inductive) low-voltage (MLV) transformer, compact fluorescent, LED, and motor.
Maximum load	
Incandescent (tungsten)	4A
Halogen	4A
Fluorescent	3A
Compact fluorescent (CFL)	3A
LED	1A
Motors	1/8 HP
Environmental	
Operational temperature	0°C - 40°C (32°F - 104°F)
Humidity	5% to 95% non-condensing
Storage	-20°C - 70°C (-4°F - 158°F)
Miscellaneous	
Control communications	ZigBee, IEEE 802.15.4, 2.4 GHz, 15-channel spread spectrum radio
Wires per connector	One 0.5 mm ² - 2.5 mm ² OR Two 0.5 mm ² - 1.5 mm ²
Dimensions	83 × 71 × 33 mm (3.3 × 2.8 × 1.3 in)
Depth in wall box	25.8 mm (1.0 in)
Weight	0.08 kg (2.8 oz)
Shipping weight	0.14 kg (4.9 oz)
Available accessories	
Square Device Keypad Button Kit (C4-CKSK-xx)	WH, SW, BL, MB, AU
Square Device Rocker Button Kit (C4-CKSR-xx)	WH, SW, BL, MB, AU
Square Faceplate (C4-SFP1-xx)	WH, LA, IV, BR, BL, SW, MB, BI, AU, SN, SS, VB
Square Dual Faceplate (C4-SFP2-xx)	WH, BL, SW, MB, AU
Square Trim Ring (C4-SSTR-xx)	WH, BL, SW, MB, AU
Square Dual Trim Ring (C4-SDTR-xx)	WH, BL, SW, MB, AU
Engraved Button, Single High (C4-EBD1H-xx)	WH, LA, IV, BR, BL, SW, MB, BI, AU
Engraved Button, Double High (C4-EBD2H-xx)	WH, LA, IV, BR, BL, SW, MB, BI, AU
Engraved Button, Triple High (C4-EBD3H-xx)	WH, LA, IV, BR, BL, SW, MB, BI, AU
Engraved Button, Rocker (C4-EBDR-xx)	WH, LA, IV, BR, BL, SW, MB, BI, AU

Gloss colors: WH=White, LA=Light Almond, IV=Ivory, BR=Brown, BL=Black
Satin colors: SW=Snow White, MB=Midnight Black, BI=Biscuit, AU=Aluminum
Metal finishes: SN=Satin Nickel, SS=Stainless Steel, VB=Venetian Bronze

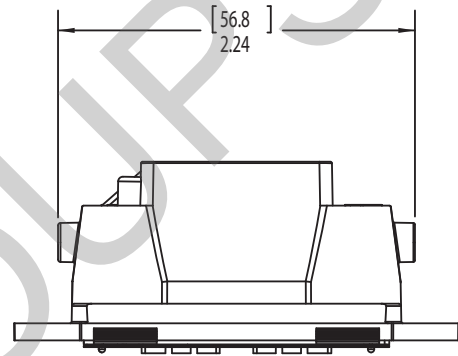


SQUARE WIRELESS SWITCH
 SKU: C4-SSW240-N

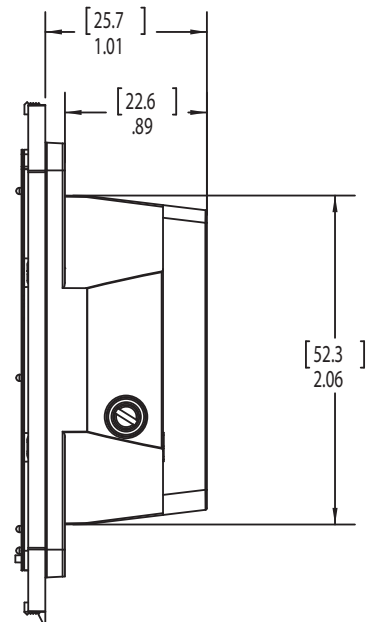
FRONT



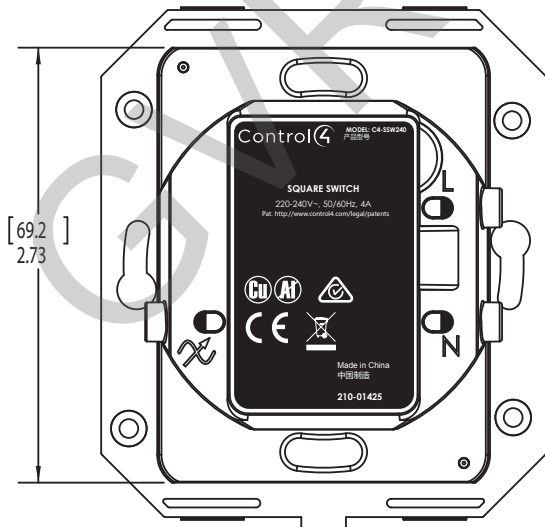
TOP



SIDE



BACK



Control4® Square Wireless Adaptive Phase Dimmer



Control4® Square Wireless Adaptive Phase Dimmer, 240V C4-SAPD240-N

The Control4® Square Wireless Adaptive Phase Dimmer combines elegant dimming with a configurable keypad for the ultimate in lighting control. Unlock the power of one-touch automation simply by replacing an existing light switch with a Keypad Dimmer.

- Turns a standard light switch or dimmer into a fully customizable keypad and dimmer.
- Wireless communication and standard wiring provide easy installation in new construction and retrofit environments.
- Compatible with a variety of load types including LEDs, Incandescent, Halogen, Electronic Low Voltage (solid state) Transformers, Magnetic (iron core) Low Voltage Transformers, Fluorescents, Compact Fluorescents.
- Supports both forward phase (leading edge) and reverse phase (trailing edge) dimming.
- Automatically detects load type and determines the appropriate dimming type.
- Protection circuitry prevents device damage in case of short circuit or excessive load.
- Continuously measures energy being used by the attached load.
- Configure with two to seven buttons using five different button sizes for a total of 38 possible configurations.
- Easy reconfiguration means there's no need to worry about how many buttons will be needed on a specific dimmer before (or even after) installation.
- Elegant, sophisticated design makes a beautiful addition to any home or business.
- Custom engraving available to clearly identify each button.
- Backlit button engraving with programmable color control for easy readability regardless of time of day or light level.
- Programmable RGB LEDs provide status feedback for lighting and other devices in the system.
- Ambient light sensor automatically adjusts backlight and status LED brightness depending on the light level in the room.
- Ships as "Neutral" device with no buttons included. Keypad-style button kit and Rocker-style button kits sold separately in a variety of colors (see "Available accessories").
- Control4® screw-less faceplates, sold separately, provide a sleek profile (see "Available accessories").
- Installs in standard square (UK/China-style) or round (EU-style) wall boxes. Round (EU-style) wall boxes require trim ring (see "Available accessories").

Control4® Square Wireless Adaptive Phase Dimmer

Model number	C4-SAPD240-xx	
Power requirements	220VAC-240VAC +/-10%, 50/60 Hz This device can function with or without a neutral AC connection depending on load type. Wiring with a neutral is always the preferred wiring method (if possible). See load types and "Sample wiring configurations" below. When wired without a neutral, loads may appear dimmer.	
Power consumption	600mW	
Load types and ratings		
Supported load types	Incandescent, halogen, electronic (solid state) low-voltage (ELV) transformer, magnetic (iron core, inductive) low-voltage (MLV) transformer ¹ , phase-dimmable fluorescent, compact fluorescent, and LED. Important: Do <i>not</i> use with non-dimmable loads.	
Maximum load		
	Reverse phase	Forward phase
Incandescent (tungsten)	350W	250W
Halogen	350W	250W
Fluorescent ²	100W	100W
Compact fluorescent (CFL) ²	100W	N/A
LED ²	100W	30W
Minimum load (with neutral)		
All load types ^{1,2}	1W	
Minimum load (without neutral)		
Incandescent (tungsten)	7W	
Halogen ¹	7W	
Fluorescent ^{1,2}	20W (see note 2 below)	
Compact fluorescent (CFL) ^{1,2}	20W Varies (see note 2 below)	
LED ^{1,2}	20W Varies (see note 2 below)	
!Important! When dimming magnetic (MLV) loads, each transformer must be loaded to at least 50% of its maximum load.		
² The minimum and maximum load requirements for fluorescent, CFL, and LED loads can vary greatly, depending upon the specific fixture and/or bulb being used. The quality and performance of these load types varies greatly from manufacturer to manufacturer. At higher wattages, in-rush current spikes may cause an overcurrent fault on the dimmer. At low wattages, particularly when the dimmer is wired without a neutral, the light may not be able to completely turn off, may flicker, or may cause the dimmer to power starve. Control4 strongly recommends bench testing the actual loads being used in the exact wiring configuration that will be used before performing the installation.		
Environmental		
Operational temperature	0°C - 40°C (32°F - 104°F) All load ratings are based on an ambient temperature of 25°C (77°F).	
Humidity	5% to 95% non-condensing	
Storage	-20°C - 70°C (-4°F - 158°F)	
Miscellaneous		
Control communications	ZigBee, IEEE 802.15.4, 2.4 GHz, 15-channel spread spectrum radio	
Wires per connector	One 0.5 mm ² - 2.5 mm ² OR Two 0.5 mm ² - 1.5 mm ²	
Dimensions	83 × 71 × 33 mm (3.3 × 2.8 × 1.3 in)	
Depth in wall box	25.8 mm (1.0 in)	
Weight	0.06 kg (2.1 oz)	
Shipping weight	0.12 kg (4.2 oz)	



Control4® Square Wireless Adaptive Phase Dimmer

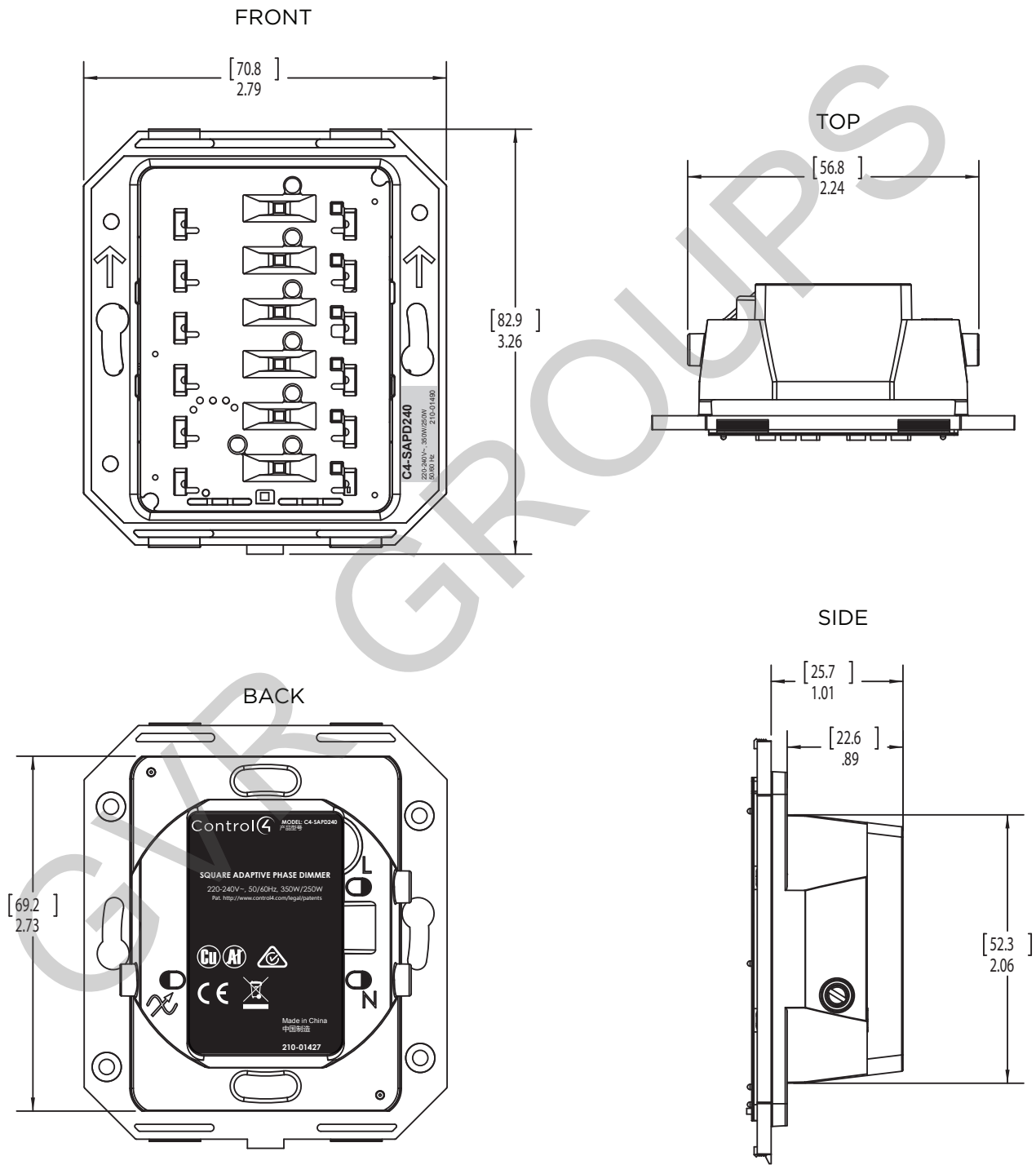
Available Accessories	
Square Device Keypad Button Kit (C4-CKSK-xx)	WH, SW, BL, MB, AU
Square Device Rocker Button Kit (C4-CKSR-xx)	WH, SW, BL, MB, AU
Square Faceplate (C4-SFP1-xx)	WH, LA, IV, BR, BL, SW, MB, BI, AU, SN, SS, VB
Square Dual Faceplate (C4-SFP2-xx)	WH, BL, SW, MB, AU
Square Trim Ring (C4-SSTR-xx)	WH, BL, SW, MB, AU
Square Dual Trim Ring (C4-SDTR-xx)	WH, BL, SW, MB, AU
Engraved Button, Single High (C4-EBD1H-xx)	WH, LA, IV, BR, BL, SW, MB, BI, AU
Engraved Button, Double High (C4-EBD2H-xx)	WH, LA, IV, BR, BL, SW, MB, BI, AU
Engraved Button, Triple High (C4-EBD3H-xx)	WH, LA, IV, BR, BL, SW, MB, BI, AU
Engraved Button, Rocker (C4-EBDR-xx)	WH, LA, IV, BR, BL, SW, MB, BI, AU

Gloss colors: WH=White, LA=Light Almond, IV=Ivory, BR=Brown, BL=Black
Satin colors: SW=Snow White, MB=Midnight Black, BI=Biscuit, AU=Aluminum
Metal finishes: SN=Satin Nickel, SS=Stainless Steel, VB=Venetian Bronze



SQUARE WIRELESS ADAPTIVE PHASE DIMMER

SKU: C4-SAPD240-N



Control4® Wireless Configurable Keypad



Control4® Wireless Configurable Keypad, 120V/277V—C4-KC120277
Control4® Wireless Configurable Keypad, 240V—C4-KC240

The Control4® Wireless Configurable Keypad is an elegant and customizable user interface that unlocks the power of one-touch automation. The keypad can be configured with two to seven buttons using four different button sizes for a total of 37 possible configurations. There's no need to worry about how many buttons will be needed on a specific keypad prior to (or even after) installation.

- Includes a button kit with every button necessary to make any of the 37 possible button configurations
- Elegant, sophisticated design makes a beautiful addition to any home or business
- Custom engraving available to clearly identify each button
- Backlit button engraving with programmable color control for easy readability regardless of time of day or light level
- Programmable RGB LEDs provide status feedback for lighting and other devices in the system
- Ambient light sensor automatically adjusts backlight and status LED brightness depending on the light level in the room
- Available in a wide array of gloss and satin colors (See Available Colors)
- Control4® screw-less faceplates, sold separately, provide a sleek profile (See Available Accessories)

Control4® Wireless Configurable Keypad

Model Number	C4-KC120277 and C4-KC240
Power Requirements	C4-KC120277: 110-277VAC +/-10%, 50/60Hz or 36VDC C4-KC240: 220VAC-240VAC +/-10%, 50/60Hz or 36VDC This device requires a neutral AC connection.
Power Consumption	120V: 350mW 240V: 480mW 277V: 540mW 36VDC: 430mW
Environmental	
Operational Temperature	32° F - 104° F (0° C - 40° C)
Humidity	5% to 95% non-condensing
Storage	-4° F - 158° F (-20° C - 70° C)
Miscellaneous	
Control Communications	ZigBee, IEEE 802.15.4, 2.4 GHz, 15-channel spread spectrum radio
Wallbox Volume	4.75 cubic inches (77.8 cubic centimeters)
Weight	0.12 lb. (0.05 kg)
Shipping Weight	0.18 lb. (0.08 kg)
Available Colors	
C4-KC120277-xx	WH, LA, IV, BR, BL, SW, MB, BI, AU
C4-KC240-xx	WH, BL, SW, MB, BI, AU
Available Accessories	
Faceplate, 1 Gang (C4-FP1-xx)	WH, LA, IV, BR, BL, SW, MB, BI, AU, SN, SS, VB
Faceplate, 2 Gang (C4-FP2-xx)	WH, LA, IV, BR, BL, SW, MB, BI, AU, SN, SS, VB
Faceplate, 3 Gang (C4-FP3-xx)	WH, LA, IV, BR, BL, SW, MB, BI, AU, SN, SS, VB
Faceplate, 4 Gang (C4-FP4-xx)	WH, LA, IV, BR, BL, SW, MB, BI, AU, SN, SS, VB
Color Kit (C4-CKKC-xx)	WH, LA, IV, BR, BL, SW, MB, BI, AU
Engraved Button, Single High (C4-EBD1H-xx)	WH, LA, IV, BR, BL, SW, MB, BI, AU
Engraved Button, Double High (C4-EBD2H-xx)	WH, LA, IV, BR, BL, SW, MB, BI, AU
Engraved Button, Triple High (C4-EBD3H-xx)	WH, LA, IV, BR, BL, SW, MB, BI, AU

Gloss Colors: WH=White, LA=Light Almond, IV=Ivory, BR=Brown, BL=Black
Satin Colors: SW=Snow White, MB=Midnight Black, BI=Biscuit, AU=Aluminum
Metal Finishes: SN=Satin Nickel, SS=Stainless Steel, VB=Venetian Bronze



Control4® Auxiliary Keypad



Control4® Auxiliary Keypad, 120V/277V—C4-KA

The Control4® Auxiliary Keypad provides an economical solution for 3-way control of a load. Using the existing, in-wall 3-way wiring, the Auxiliary Keypad wires directly to any compatible Control4® Dimmer, Switch, or Fan-Speed Controller.

- Provides full control of the load attached to the associated Dimmer, Switch, or Fan-Speed Controller
- Communicates directly with the load-control device over the existing 3-way wiring
- Use up to ten Auxiliary Keypads with a single load-control device
- Capable of controlling the load even without the automation system in place
- Elegant, sophisticated design makes a beautiful addition to any home or business
- Available in a wide array of gloss and satin colors (See Available Colors)
- Control4® screw-less faceplates, sold separately, provide a sleek profile (See Available Accessories)

Control4® Auxiliary Keypad

Model Number	C4-KA
Power Requirements	110-277 VAC +/-10% 50/60 Hz
Environmental	
Operational Temperature	32° F - 104° F (0° C - 40° C)
Humidity	5% to 95% non-condensing
Storage	-4° F - 158° F (-20° C - 70° C)
Miscellaneous	
Wallbox Volume	4.75 cubic inches
Weight	0.07 lb. (0.03 kg)
Shipping Weight	0.12 lb. (0.05 kg)
Compatible Devices	

Adaptive Phase Dimmer (C4-APD120, C4-APD240, C4-APD277)
 Forward Phase Dimmer (C4-FPD120)
 Keypad Dimmer (C4-KD120, C4-KD240, C4-KD277)
 Switch (C4-SW120277, C4-SW240)
 0-10V Dimmer (C4-TV120277, C4-TV240)
 Fan Speed Controller (C4-4FS120)

Available Colors	
C4-KA-xx	WH, LA, IV, BR, BL, SW, MB, BI, AU
Available Accessories	
Faceplate, 1 Gang (C4-FP1-xx)	WH, LA, IV, BR, BL, SW, MB, BI, AU, SN, SS, VB
Faceplate, 2 Gang (C4-FP2-xx)	WH, LA, IV, BR, BL, SW, MB, BI, AU, SN, SS, VB
Faceplate, 3 Gang (C4-FP3-xx)	WH, LA, IV, BR, BL, SW, MB, BI, AU, SN, SS, VB
Faceplate, 4 Gang (C4-FP4-xx)	WH, LA, IV, BR, BL, SW, MB, BI, AU, SN, SS, VB
Color Kit (C4-CKKA-xx)	WH, LA, IV, BR, BL, SW, MB, BI, AU

Gloss Colors: WH=White, LA=Light Almond, IV=Ivory, BR=Brown, BL=Black
Satin Colors: SW=Snow White, MB=Midnight Black, BI=Biscuit, AU=Aluminum
Metal Finishes: SN=Satin Nickel, SS=Stainless Steel, VB=Venetian Bronze

